

# C E R T I F I C A T E

of Conformity



Registration No.: AK 50484422 0001

Report No.: 50306203 002

**Holder:** JIANGSU GOODWE POWER SUPPLY  
TECHNOLOGY CO., LTD.  
No.90 Zijin Rd.,  
New District, Suzhou  
215011 Jiangsu  
P.R. China

**Product:** PV-Inverter  
(Grid-Connected PV Inverter)

**Identification:**

Type Designation	:	GW3000D-NS	GW3600D-NS	GW4200D-NS	GW5000D-NS	GW6000D-NS
Firmware Version	:	V1.12				
Remark(s)	:	Compliance with the requirement of RD 244/2019, Annex I. The grid feeding power of GW6000D-NS shall be limited below 5kW.				

**Tested acc. to:** RD 1699:2011  
UNE 206006 IN:2011  
UNE 206007-1 IN:2013  
UNE 217001:2015 IN

The certificate of conformity refers to the above mentioned product. This is to certify that the specimen is in conformity with the assessment requirement mentioned above. This certificate does not imply assessment of the production of the product and does not permit the use of a TÜV Rheinland mark of conformity.

Date 23.10.2020

Certification Body

TÜV Rheinland

Weichun Li

TÜV Rheinland LGA Products GmbH - Tillystraße 2 - 90431 Nürnberg

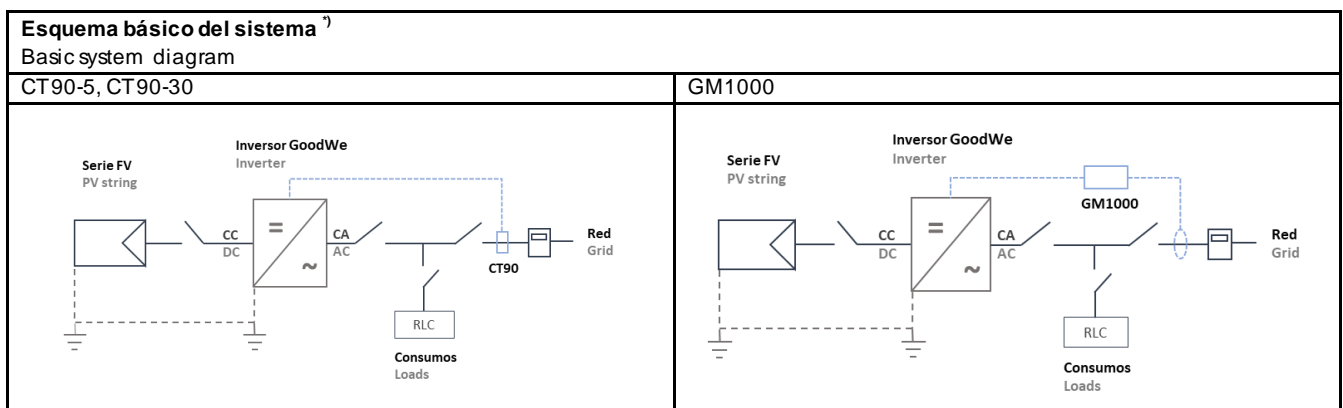
**Anexo a***Attachment to***No. de registro:** AK 50484422 0001  
*Registration No.***No. de informe:** 50306203 002  
*Report No.***Titular de licencia:** JIANGSU GOODWE POWER SUPPLY TECHNOLOGY CO., LTD.  
*License Holder*  
No.90 Zijin Rd., New District, Suzhou, 215011 Jiangsu, P.R. China**Tipo de producción:** Inversor fotovoltaico conectado a la red  
*Type of production***Modelo:** GW3000D-NS, GW3600D-NS, GW4200D-NS, GW5000D-NS, GW6000D-NS  
*Model***Versión de firmware:** V1.12  
*Firmware version***Estándar:** RD1699 : 2011  
*Standards* RD244 : 2019/ ANEXO I  
UNE 206006 IN : 2011  
UNE 206007-1 IN : 2013  
UNE 217001 IN : 2015**Fecha de emisión:** 23.10.2020  
*Date of issue***Válido hasta el:** 22.10.2023  
*Valid until the*

El certificado de conformidad hace referencia al producto mencionado anteriormente. Esto es para certificar que la muestra se encuentra en conformidad con el requisito de evaluación mencionado anteriormente. Este certificado no implica una evaluación de la producción del producto y no permite el uso de una marca de conformidad TÜV Rheinland.

*The certificate of conformity refers to the above mentioned product. This is to certify that the specimen is in conformity with the assessment requirement mentioned above. This certificate does not imply assessment of the production of the product and does not permit the use of a TÜV Rheinland mark of conformity.*

<b>Información del inversor</b> Inverter information					
<b>Modelo</b> Model	<b>GW3000D-NS</b>	<b>GW3600D-NS</b>	<b>GW4200D-NS</b>	<b>GW5000D-NS</b>	<b>GW6000D-NS</b>
<b>Potencia nominal CA</b> Nominal AC Power	3000 W	3680 W	4200 W	5000 W	6000 W
<b>Tensión nominal CA</b> Nominal AC voltage	230 V	230 V	230 V	230 V	230 V
<b>Corriente máxima CA</b> Maximal AC current	13.6 A	16.0	19.0	22.8	27.3
<b>Frecuencia nominal</b> Nominal frequency	50 Hz	50 Hz	50 Hz	50 Hz	50 Hz
<b>Rango de tensión MPPT</b> MPPT voltage range	80-550 V	80-550 V	80-550 V	80-550 V	80-550 V
<b>Tensión CC máxima</b> Max. DC voltage	600 V	600 V	600 V	600 V	600 V
<b>Corriente DC máxima</b> Max. DC current	11/11 A	11/11 A	11/11 A	11/11 A	11/11 A
<b>Elemento de control</b> Control device	Controller in Inverter	Controller in Inverter	Controller in Inverter	Controller in Inverter	Controller in Inverter
<b>Tipo de dispositivo de control</b> Type of control device	Integrated	Integrated	Integrated	Integrated	Integrated

<b>Información general del transductor de corriente externo / medidor de potencia <sup>*)</sup></b> General information of external current transducer/ power meter			
<b>Fabricante</b> Manufacturer	Elecmat Technology Company Limited		
<b>Modelo</b> Model	GM1000	CT90-5	CT90-30
<b>Aplicación</b> Application	1 Phase	1 Phase	1 Phase
<b>Tensión nominal</b> Nominal voltage	230 Vac	--	--
<b>Corriente máxima</b> Max. current	120 A	90A	90A
<b>Clase de precisión</b> Class of accuracy	Class 1	Class 1	Class 1
<b>Tipo de comunicación</b> Type of communication	RS485	Analog	Analog



\*) Para cumplir los requisitos de RD244 : 2019 / ANEXO I y UNE 217001 IN : 2015, se instalará el dispositivo adicional.  
For fulfill the requirements of RD244 : 2019/ ANEXO I and UNE 217001 IN : 2015, the additional device shall be installed.